

SINOBOOM TELEHANDLER

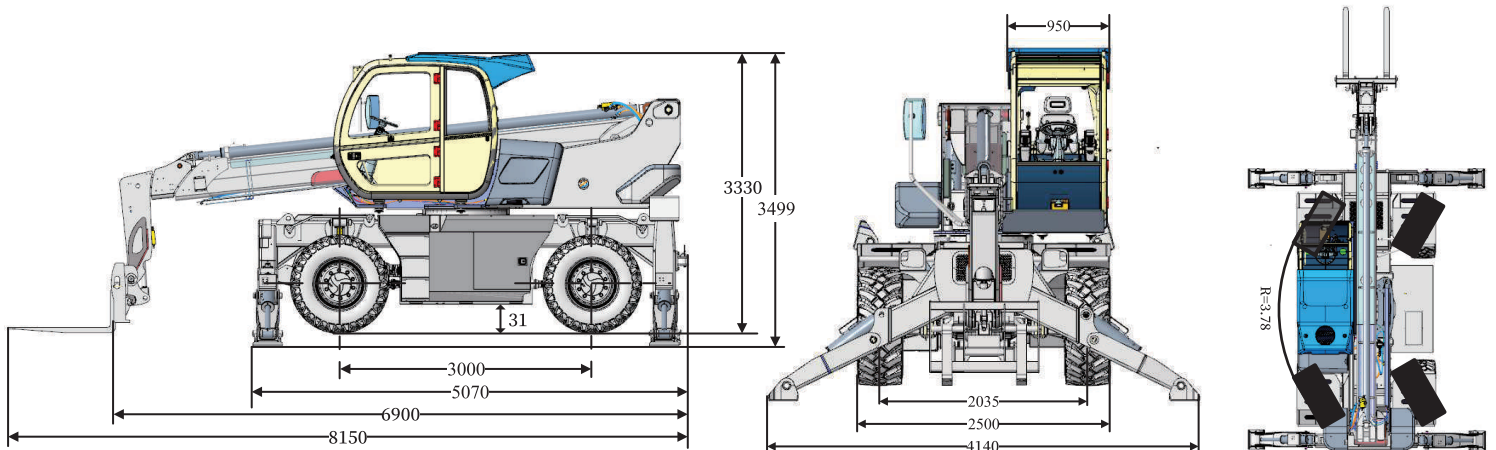
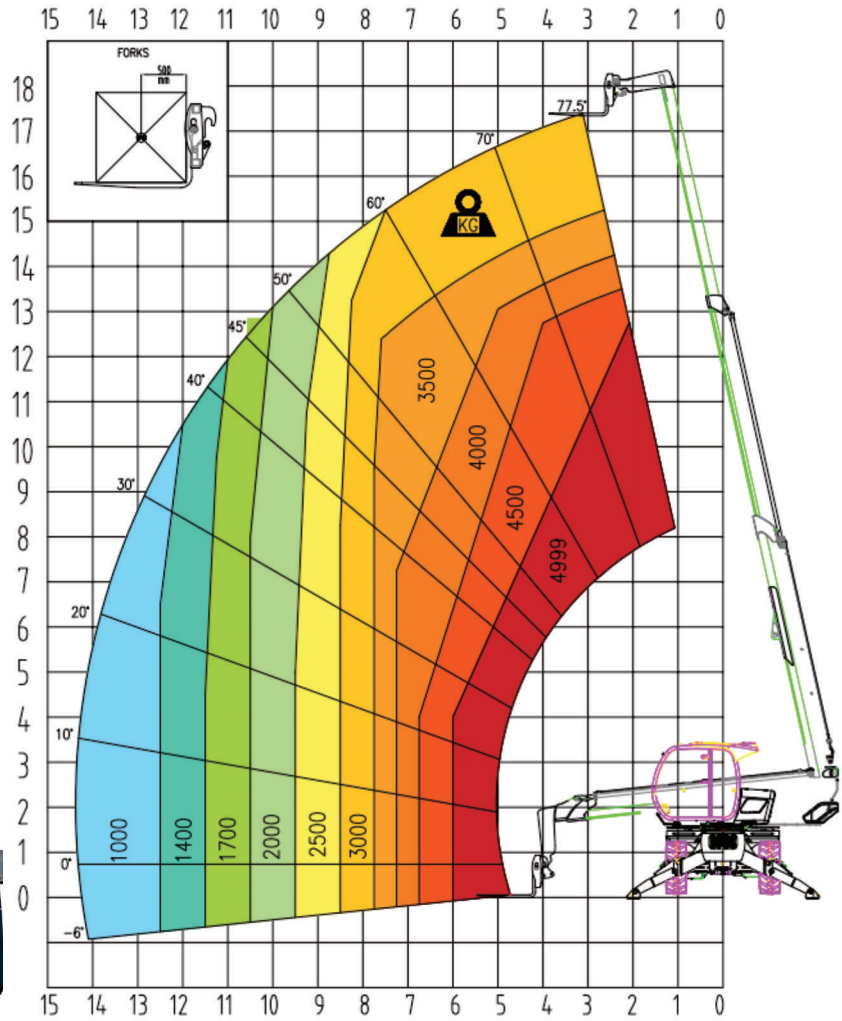


Rotating Multi-functional Telehandler TH50-18R

· Multi-function for high rate of return

· Driving with load for flexibility and high efficiency

· Robust & Durable & Reliable



PARTNERS IN ACCESS

SINOBOOM

Dimensions

Overall length	8.15m
Overall length (to face of fork)	6.9m
Overall width	2.5m
Overall width(stabilisers extended)	4.3m
Overall width(stabilisers fully extended)	4.14m
Overall height	3.33m
Cab width	0.95m
Ground clearance	0.31m
Wheel base	3m
Length/width/height of fork	1.55m×1.08m×0.83m

Performance

Max. lifting capacity	4999kg
Max. lifting height	17.6m
Max. forward reach	14.3m
Rotation radius	2.6m
Tilt-up angle of fork	12°
Tilt-down angle of fork	-112°
Turret rotation	360°/continuous
Max. speed(boom retracted)	35km/h
Gradeability	40%
Turning radius	3.78m
Approach/departure angle	22°/22°
Max. allowable tilt angle	3°
Max. allowable wind speed	12.5m/s
Tire specification/type	445/65R 169F(hollow tire)
Attachment recognition system	yes

Power

Transmission type	Hydrostatic
Number of gears(forward/reverse)	2/2
Drive mode	4WD
Steering mode	2 wheel steer, 4 wheel steer, crab mode
Engine(type/manufacturer/emission)	YCF36125-T482/Yuchai/China IV
Rated power/rotating speed	92 kw/2200 rpm
Max. torque/rotating speed	480N · m/1300-1600 rpm
Number of cylinders-displacement	4-3.621L
Engine injection mode	EFI
Engine cooling mode	Water cooled
Capacity-hydraulic oil	235L
Capacity-fuel tank	215L
Control voltage	12VDC

Weight

Weight	1,5415kg
--------	----------

Features

Standard

Wet braking bridge	Two-speed transmission	4WD
3 steering modes	Braking on 4 wheels	Frame leveling
Turret 360 continuous rotation	134 rotation and leveling of attachments	Weighting system
Tip over protection	Fault diagnosis system	7 inch intelligent screen
Bus control valve	Automatic engine speed-up function	Electro-proportional joystick
RFID attachment recognition system		

Options and accessories

anti-entrapment system	Reversing camera	360 panoramic camera
Attachment work light	Anti-collision device	AC power to platform
Document box		

Optional attachments: fork-type manned platform, bucket, clamp, vacuum suction device, gripper